



T- GRID
SUSPENSION SYSTEM

T-GRID SUSPENSION SYSTEM

Knauf T-grid suspension system is designed and manufactured to ensure both structural and aesthetic integrity in all ceiling designs. The clever clip-in design makes it fast and easy to install.

FEATURES:

- Stronger & stiffer
- Better Interlocking system
- Better brand visibility
- Fast & simple to install
- Tighter interlock holes
- Better packaging
- Knurling-Improved profile stiffness
- Overall system rigidity



T-GRID 24

Physical Data

Material - Hot dipped galvanized steel
 Surface Finish - Baked polyester paint
 Cross Tee / Main Tee Interface - Stepped ends
 Profile - Exposed tee system

System Characteristics

- Exposed 24mm system
- Fast and simple to install
- Maximum economy and design simplicity
- Cross-tees with override-ends resist twisting and give professionally finished look with no exposed steel edges
- Compatible with most lay-in ceiling tiles

Hanger wire

Should be of 2mm diameter steel wire or 4 mm Knauf Hanger wire with Knauf Double connector for hanger wire Steel wire can be connected to the main runner by twisting the wire through the premade holes in the main runner and wrapping it a minimum of 4 times. Hanger wires are to be spaced a maximum 1200mm on centers and fixed to the main structure or soffit with appropriate fixing dowel.

Cross Tees

Install the cross tees 1200 mm 28mm x 24mm perpendicular between the main runners to form a 1200 x 600 mm grid. For 600x600 mm grid, install cross tees 600 mm at 600 mm

Main Tees

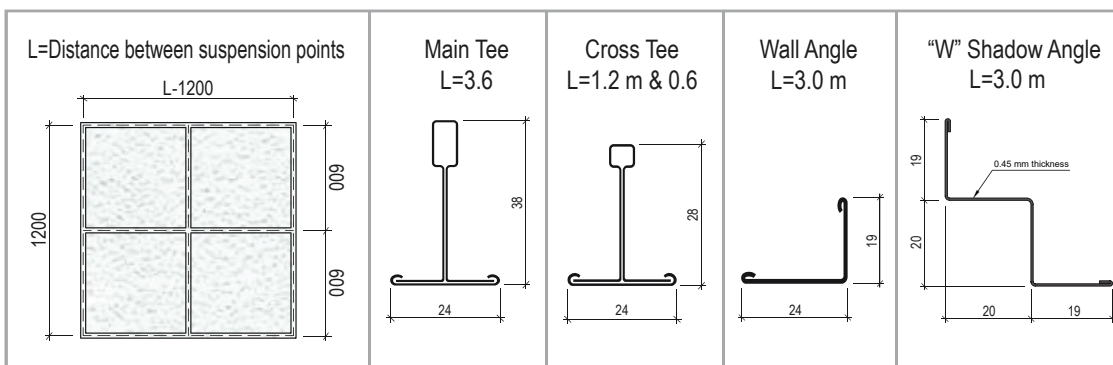
Install Main Tees at 1200 mm and suspend from structural soffit with Knauf Hanger Wires 4 mm/Steel Wires 2 mm at max. 1200 mm. if main tees need to be spliced, support with a hanger at max. 150 mm from each end.

Perimeter Wall Angle

24mm x 19mm perimeter wall angle should be fixed to the structure with appropriate fixings at a maximum of 600mm on centers.

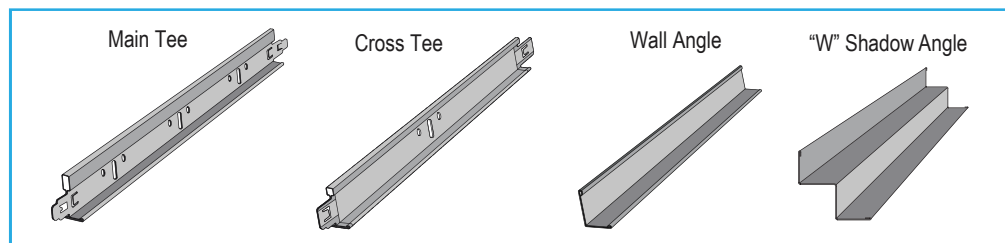
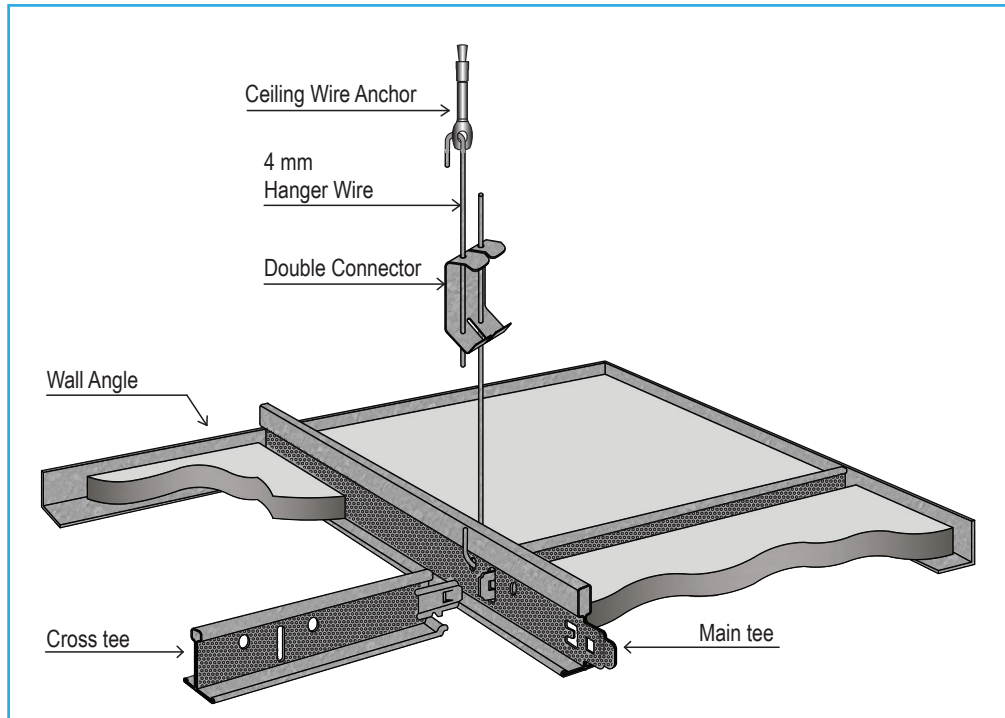
W Shadow Wall Angle

W Shadow Angle can be used for ceiling systems which provides a shadow line finish.



T- Grid 24 Characteristics

24mm Exposed Tee System



QUANTITIES REQUIRED FOR M2 CONSTRUCTION	
Products	600 x 600
Main Tee	0.84 lm
Cross Tee 1200	1.67 lm
Cross Tee 600	0.84 lm
Hanger	0.70 pcs
Wall Angle	0.6 lm

* consumption only indicative and approximate.

T-GRID 15

Physical Data

Material - Hot dipped galvanized steel
 Surface Finish - Baked polyester paint
 Cross Tee / Main Tee Interface - Stepped ends
 Profile - Exposed tee system

System Characteristics

- Exposed 15 mm system
- Fast and simple to install
- Maximum economy and design simplicity
- Cross-tees with override-ends resist twisting and give professionally finished look with no exposed steel edges
- Compatible with most lay-in ceiling tiles

Hanger wire

Should be of 2mm diameter steel wire or 4 mm Knauf Hanger wire with Knauf Double connector for hanger wire Steel wire can be connected to the main runner by twisting the wire through the premade holes in the main runner and wrapping it a minimum of 4 times. Hanger wires are to be spaced a maximum 1200mm on centers and fixed to the main structure or soffit with appropriate fixing dowel.

Cross Tees

Install the cross tees 1200 mm 28mm x 15mm perpendicular between the main runners to form a 1200 x 600 mm grid. For 600x600 mm grid, install cross tees 600 mm at 600 mm

Main Tees

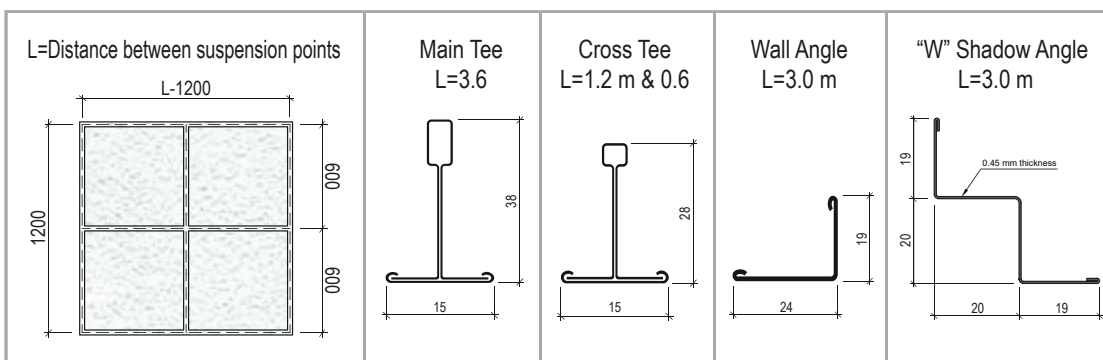
Install Main Tees at 1200 mm and suspend from structural soffit with Knauf Hanger Wires 4 mm / Steel Wires 2 mm at max. 1200 mm. If main tees need to be spliced, support with a hanger at max. 150 mm from each end.

Perimeter Wall Angle

15 mm x 18mm perimeter wall angle should be fixed to the structure with appropriate fixings at a maximum of 600mm on centers.

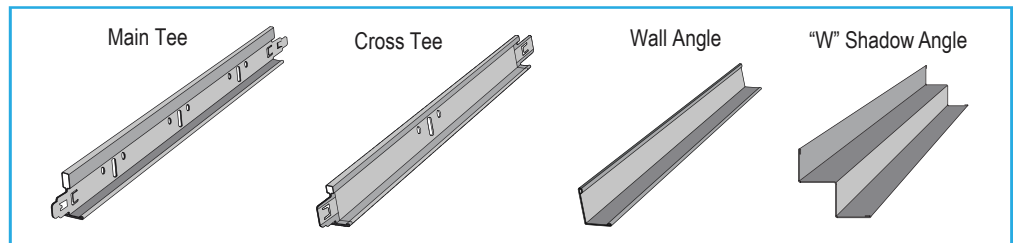
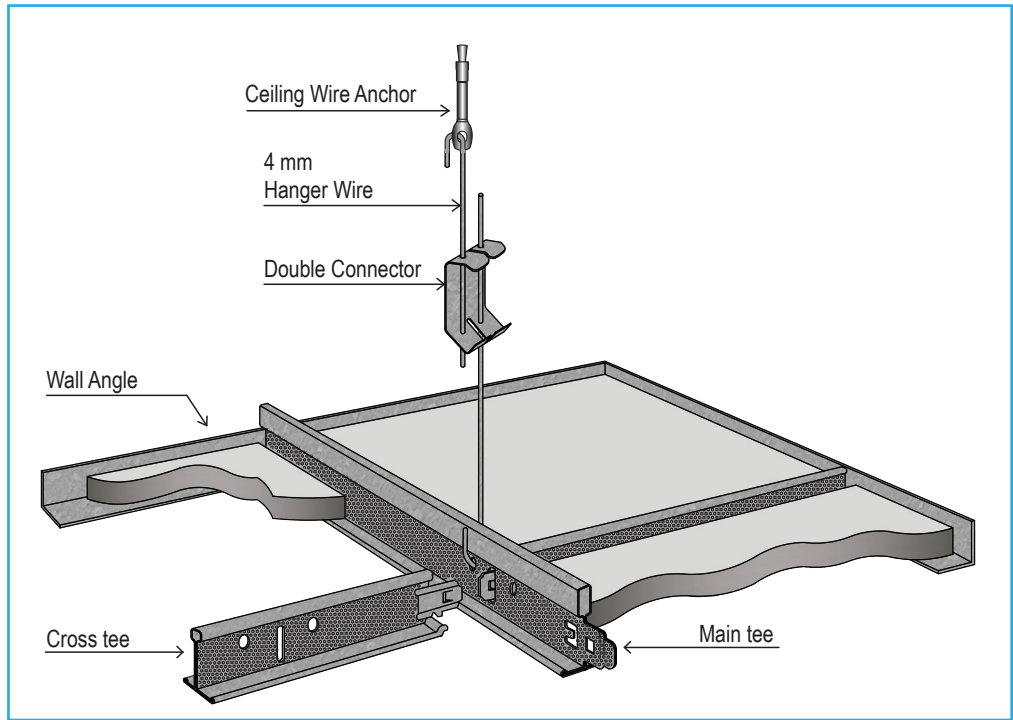
W Shadow Wall Angle

W Shadow Angle can be used for ceiling systems which provides a shadow line finish.



T- Grid 15 Characteristics

15mm Exposed Tee System



QUANTITIES REQUIRED FOR M2 CONSTRUCTION	
Products	600 x 600
Main Tee	0.84 lm
Cross Tee 1200	1.67 lm
Cross Tee 600	0.84 lm
Hanger	0.70 pcs
Wall Angle	0.6 lm

* consumption only indicative and approximate.

T-GRID SUSPENSION SYSTEM

Economical, flexible and aesthetically designed.



KNAUF



Knauf Head Office

- ▶ Phone: +971 4 337 7170
- ▶ Fax: +971 4 334 9659
- ▶ Dubai Silicon Oasis , UAE

Knauf Manufacturing Plant

- ▶ Phone: +971 7 221 5300
- ▶ Fax: +971 7 221 5301
- ▶ Ras Al Khaimah, U.A.E.

Disclaimer:

The information provided in this leaflet is only intended to give guidance in selecting and using Knauf products. While we make every effort to ensure its accuracy, neither Knauf LLC and its branches nor any of its employees or affiliates warrant or assume any legal liability or responsibility for the completeness or usefulness of any failure in installation or constructing any structure installation or building or caused by using this leaflet. Readers are advised to independently verify this information prior to rely on it. In particular, readers must obtain appropriate independent advice on the use of products in specific structures, installations or buildings to ensure compliance with all regulations, including health and safety regulations. Knauf reserves the right to amend technical specification without notice.